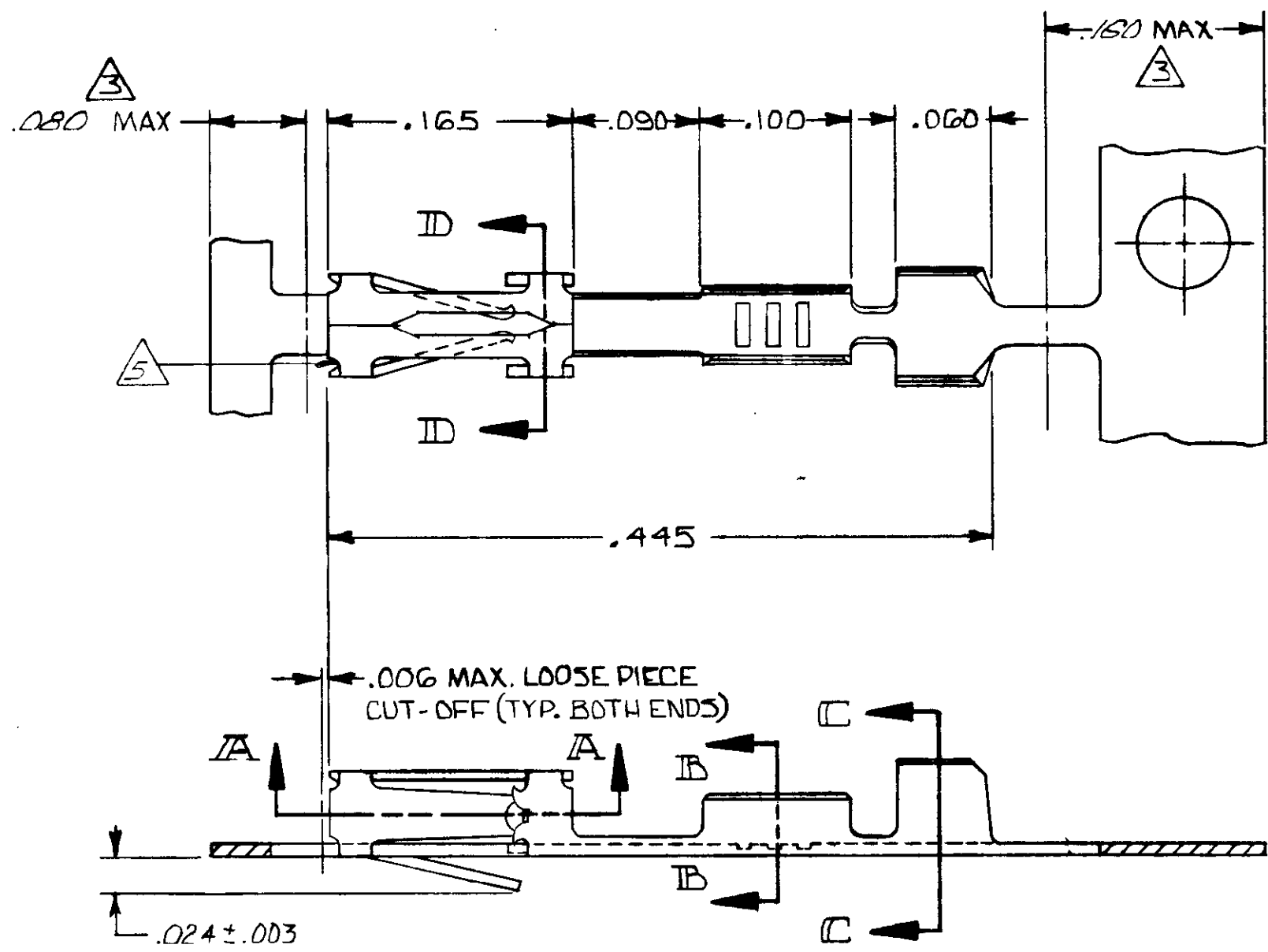
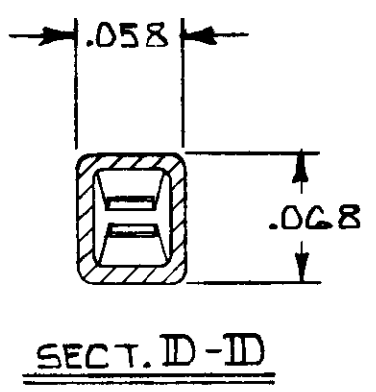
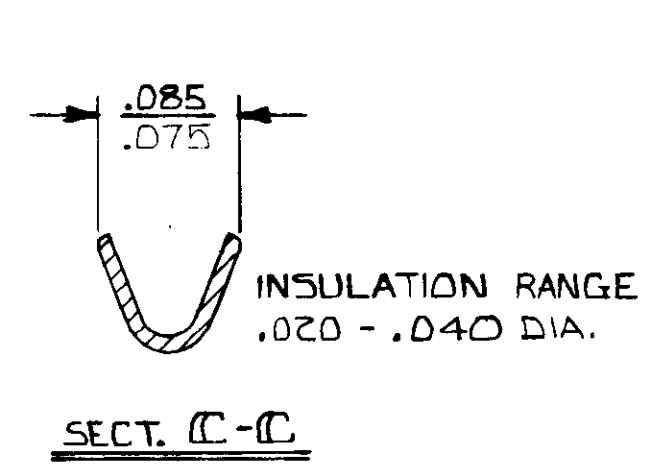
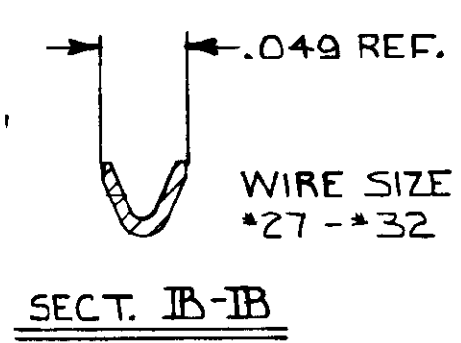
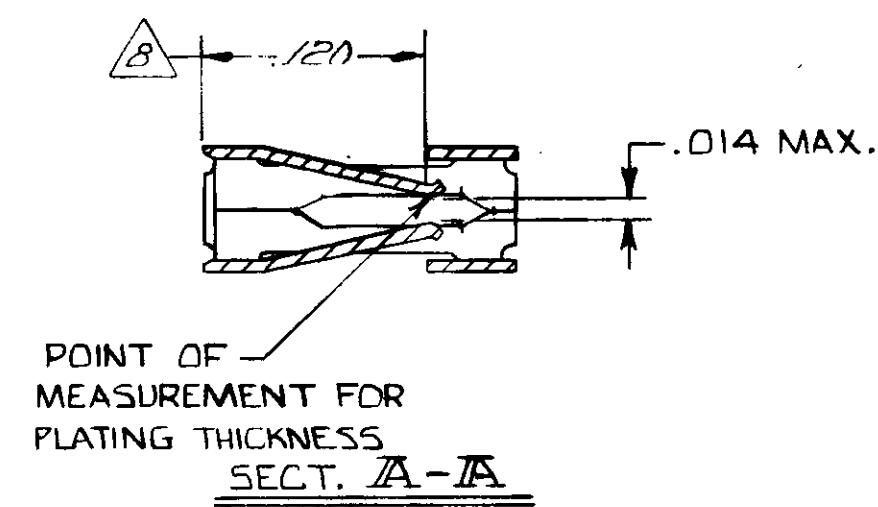


THIS DRAWING IS UNPUBLISHED. RELEASED FOR PUBLICATION MARCH 12, 1982.
 © COPYRIGHT 1982 BY AMP INCORPORATED, HARRISBURG, PA. ALL INTERNATIONAL RIGHTS RESERVED. AMP PRODUCTS MAY BE COVERED BY U.S. AND FOREIGN PATENTS AND/OR PATENTS PENDING.

REVISIONS					
P	F	ZONE	LTR	DESCRIPTION	DATE APPROVED
			O	RELEASE	
			D1	REV ECN 8541	11-28-89
			D2	REV ECN 1026	11-28-89
			A	REVISED - ECN 672	5-31-87
			B	REV ECN 850	11-28-89
			B1	REV ECN 1041	5-1-86
			B2	REV ECN 1169	5-2-86
			E	REV ECN 1821	11-28-89
			C	REV ECN AR 2029 AR 2120	9-28-88
			D	REV LOC & DIST AD-4171	11-28-89
			E	REV PER AD-5350	2-18-91
			F	SUPSD PER 0010-1000-93	1-14-94
			G	OBS -7 PER 0010-1863-93	1-14-94
			H	REV PER 0010-1593-95	2-2-96
			J	OBS -15 PER 0010-0591-96	12-31-96
			K	OBS -15 PER 0310-0169-96	12-31-96
			L	OBS -12 PER 0010-0669-96	12-31-96
			M	REV PER 0G3C-0189-00	09MAY00



- 1 .00030 GOLD ON CONTACT AREA, GOLD FLASH ON REMAINDER, OVER .000050 NICKEL.
- 2 .00015 GOLD ON CONTACT AREA, GOLD FLASH ON THE REMAINDER, OVER .000050 NICKEL.
- 3 GOLD PLATING NOT REQUIRED IN THIS AREA.
- 4 .000100-.000200 BRIGHT TIN OVER .000030 NICKEL.
- 5 CUT OUTS ON BOX AT MANUFACTURER'S OPTION.
- 6 .000050 GOLD ON CONTACT AREA, GOLD FLASH ON THE REMAINDER, OVER .000050 NICKEL.
- 7 .000015 GOLD ON CONTACT AREA, .000050 NICKEL OVER THE ENTIRE TERMINAL.
- 8 POINT OF MEASUREMENT FOR PLATING THICKNESS (INSIDE BEAMS).
- 9 OBSOLETE PART NUMBER.
- 10 SUPERSEDED BY 102917-2.



OBSOLETE	1-	9	-4	1-102917-3
		6		1-102917-1
				102917-6
				102917-5
OBSOLETE				102917-4
				102917-3
				102917-2
				102917-1
				LOOSE PIECE PART NO.
				FINISH
				PART NO.

UNLESS OTHERWISE SPECIFIED DIMENSIONS ARE IN INCHES. TOLERANCES ON: DECIMALS ± .005 ANGLES	CONTRACT NO	AMP AMP INCORPORATED Harrisburg, Pa. 17105	
	DR L. A. Cook 3/15/82	NAME	
MATERIAL BERYLLIUM COPPER .008 THK.	CHR M. J. ... 3/25/82	CONTACT, FEMALE, MOD IV, CRIMP SNAP-IN	
	APPD K. ... 3/25/82	SIZE C	FSCM NO 00779
FINISH SEE TABLE	DSGN APPD M. Y. ... 3/26/82	DRAWING NO 102917	
	OTHER APPD	SCALE	SHEET 1 OF 1

102917